

LED Wall Pack Bulkhead IP65

Please read these instructions thoroughly before use and retain for future reference.

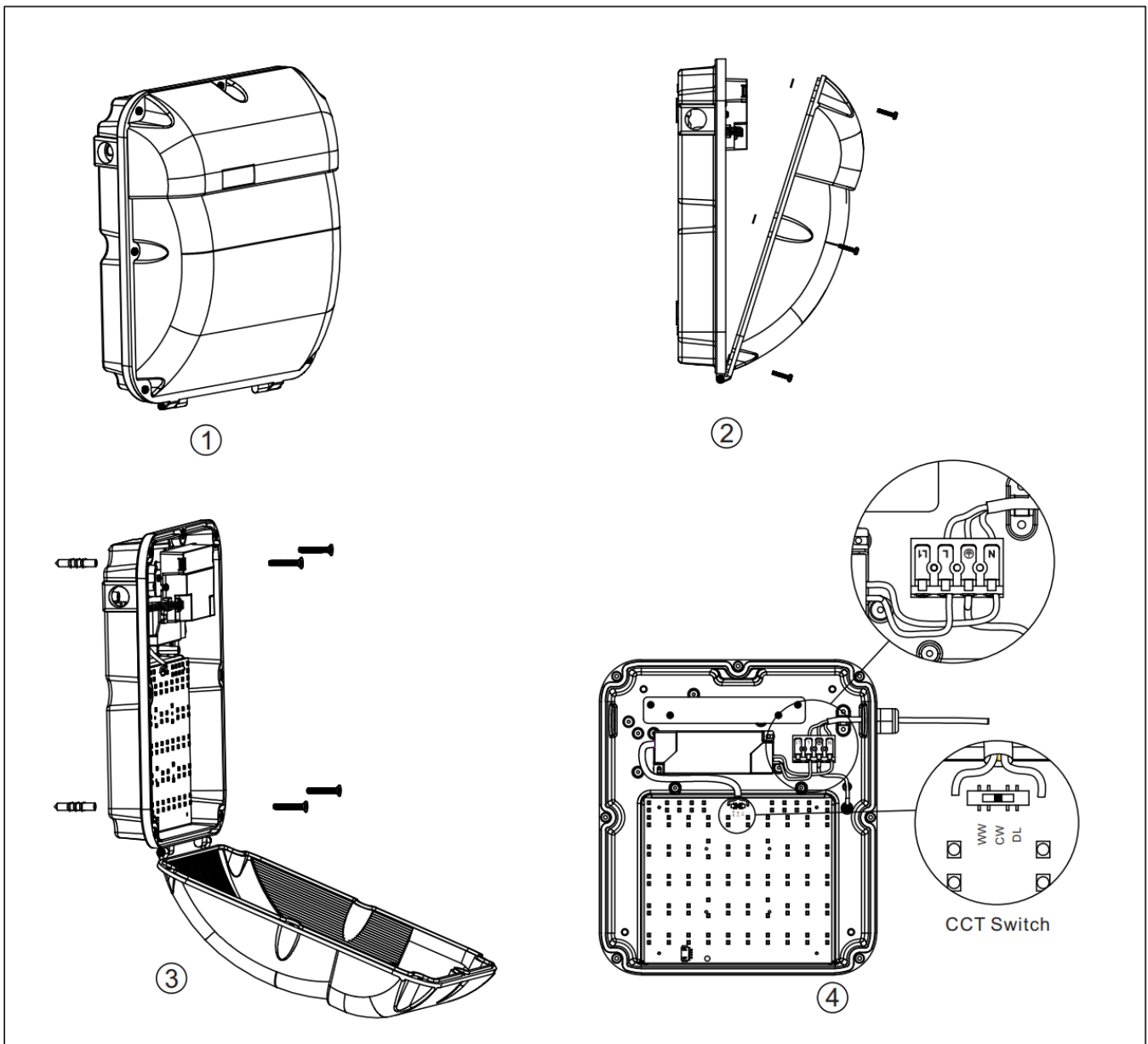
Safety Information

- Installation must be carried out in accordance with national building and wiring regulations. If you are in any doubt about installing this product, please consult a qualified electrician.
- The LED module light source contained in this luminaire shall only be replaced by the manufacturer, service agent or a similar qualified person.
- **Dangerous voltage may be accessible with the diffuser removed.**
- This product is suitable for connection to a 220-240Vac 50/60Hz supply.
- This product is a **Class I** product requiring an Earth connection.
- This product is **IP65** rated for outdoor use.
- If connecting the luminaire to independent sensors or time switches, ensure that the control device does not leak a voltage through the luminaire in the off state. Leaked voltages may accumulate and cause intermittent flashes in the off state.
- When drilling holes take care not to damage existing wiring or pipework.

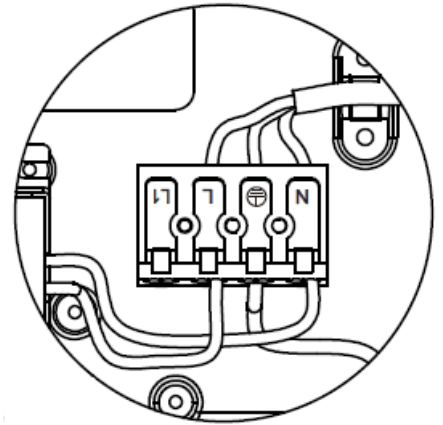
Installation Information

- Before commencing installation or any maintenance, turn off and isolate the circuit to be worked on by removing the fuse or switching the circuit breaker off at the distribution board.

These instructions apply to:
 ALT30-SCT
 ALT50-SCT
 ALT30-SCT/DS
 ALT50-SCT/DS
 ALT30-SCT/MS
 ALT50-SCT/MS

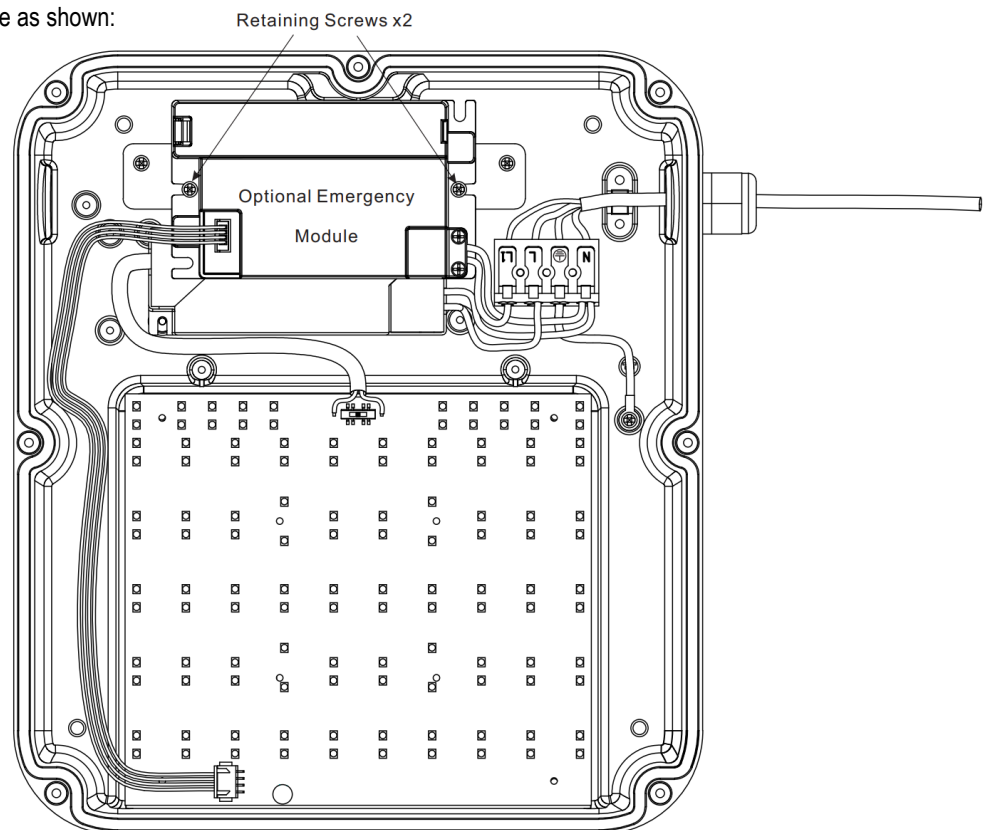


- Decide on the location of the luminaire ①.
- Open the diffuser by removing the screws around the side so that the cover can open on its hinge ②.
- **Dangerous voltage may be accessible with the diffuser removed.**
- Fix the luminaire to the mounting surface using the fixings supplied ③. Recommended mounting positions are embossed on the housing. When fixing with a raised head screw, ensure the rubber washer is placed between the fitting and the metal washer on the inside to form a seal. When fixing the bulkhead with a countersunk screw, ensure the rubber washer is placed between the fitting and the screw in the countersunk hole.
- There is one cable entrance with a gland and one with a blanking plate. Feed the supply cable through the gland and connect to the terminals as follows:
- **Brown – Live (L), Blue – Neutral (N), Green/Yellow - Earth (\oplus)** ④.
- Ensure that all electrical connections and glands are tight with no loose strands.
- Set required CCT using switch shown ④.
- Replace the diffuser cover ensuring that the small rubber washer is placed over the screw thread so that it is between the cover and the body, then reconnect the power supply.



Optional Emergency Module installation

- Install the emergency module as shown:



- The mains supply should be connected as follows:
- **Brown – Live (L), Blue – Neutral (N), Green/Yellow - Earth (\oplus)**
- **Brown – Live non-switched (L1)**
- The wires from the emergency module should be connected as follows:
- **Brown – Live (L1), Blue – Neutral (N)**
- Connect the four-wire connector from the emergency module to the connector on the LED panel as shown above.
- Remove battery compartment cover and connect battery, replace cover.
- The battery leaves the factory in a charged state but may require up to 24hrs to fully charge for a 3-hour duration test.
- Charge for at least 5 minutes prior to performing a functional test to ensure there is some charge in the battery.
- Replace the battery when the luminaire fails to meet the 3 hours duration test requirement.
- Ensure that all electrical connections and glands are tight with no loose strands.
- Replace the diffuser cover ensuring that the small rubber washer is placed over the screw thread so that it is between the cover and the body, then reconnect the power supply.

Dusk to Dawn Sensor Version

- The luminaire can be supplied with a built-in dusk to dawn sensor which is factory set to switch the lighting on when the ambient light level detected falls below 10 lux and will stay on until the ambient natural light level exceeds 50 lux. Artificial light will prevent the lamp from switching on but will not cause it to switch off.

Microwave Sensor Version

- Before setting the microwave sensor, turn off and isolate the circuit to be worked on by removing the fuse or switching the circuit breaker off at the distribution board.
- Open the diffuser by removing the screws around the side so that the cover can open on its hinge.
- Dangerous voltage may be accessible with the diffuser removed.**
- Set the DIP switches according to the tables below:
- Replace the diffuser cover ensuring that the small rubber washer is placed over the screw thread so that it is between the cover and the body.
- Reconnect the power supply.

Detection Area

DIP switches 1 and 2 control the microwave detection sensitivity. On the highest setting the sensor will detect movement within a 7m radius when mounted at 3m high.

1	2	
ON	ON	100%
ON	-	75%
-	ON	50%
-	-	25%

Hold Time

DIP switches 3, 4 and 5 control the time the luminaire can be set to stay on after motion is no longer detected. It is recommended that the shortest time setting be applied when adjusting the other settings.

3	4	5	
ON	ON	ON	5s
ON	ON	-	30s
ON	-	ON	1min
ON	ON	-	3min
-	ON	ON	5min
-	ON	-	10min
-	-	ON	20min
-	-	-	30min

Daylight Sensor

DIP switches 6, 7 and 8 control the daylight threshold. If the ambient light level is above this level the sensor will not switch the luminaire on.

6	7	8	
ON	ON	ON	2lux
ON	ON	-	10lux
-	ON	-	25lux
ON	-	-	50lux
-	-	-	Disable

Light Source Information:

ALT30-SCT – This product contains a light source of energy class E

ALT50-SCT – This product contains a light source of energy class E

End of Life information:

At the end of product life, the product should be disconnected from the mains supply by a suitably qualified person and dismantled into its constituent parts prior to disposal. Only commonly available tools* such as screwdrivers, knives, soldering irons, spanners, pliers etc should be used and appropriate safety measures taken during their use. Parts such as LED panels, strips, electrical control gear, wiring, plastic diffusers, metal components such as back plates, heatsinks and casings should all be separated from the product and disposed of via appropriate waste streams. Please consult your local authority for WEEE recycling and disposal options.

*List of commonly available tools is not comprehensive, if in any doubt please contact Kosnic.

We hereby declare that this product meets the requirements of the **EU Radio Equipment Directive 2014/53/EU & UK Radio Equipment Regulations 2017**

Declaration is issued under the sole responsibility of the manufacturer. Conforms to:

EN 300 440-1	Electromagnetic compatibility and Radio spectrum Matters (ERM); Short range devices; Radio equipment to be used in the 1 GHz to 40 GHz frequency range; Part 1: Technical characteristics and test methods
EN 301 489-1	Electromagnetic compatibility and Radio spectrum Matters (ERM); Electromagnetic Compatibility (EMC) standard for radio equipment and services; Part 1: Common technical requirements
EN 301 489-3	Electromagnetic compatibility and Radio spectrum Matters (ERM); Electromagnetic Compatibility (EMC) standard for radio equipment and services; Part 3: Specific conditions for Short-Range Devices (SRD) operating on frequencies between 9 kHz and 40 GHz
EN 303 446-1	Electromagnetic Compatibility (EMC) standard for combined and/or integrated radio and non-radio equipment; Part 1: Requirements for equipment intended to be used in residential, commercial and light industry locations; Harmonised Standard covering the essential requirements of article 3.1(b) of Directive 2014/53/EU



The Waste Electrical & Electronic Equipment Regulations (WEEE) require that products bearing this symbol must not be disposed of with household waste as they may contain substances harmful to the environment. The Local Authority can provide advice on recycling.